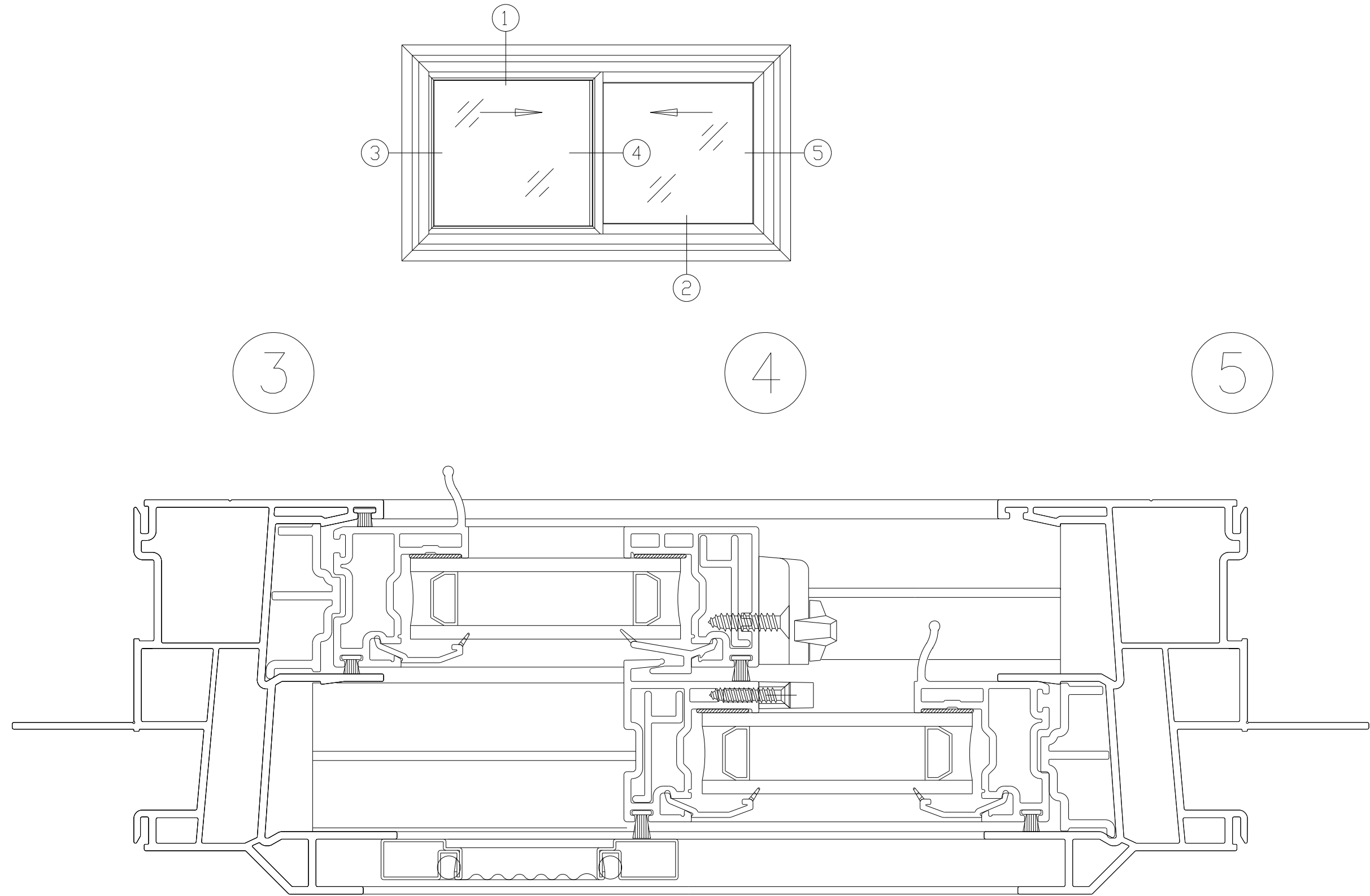
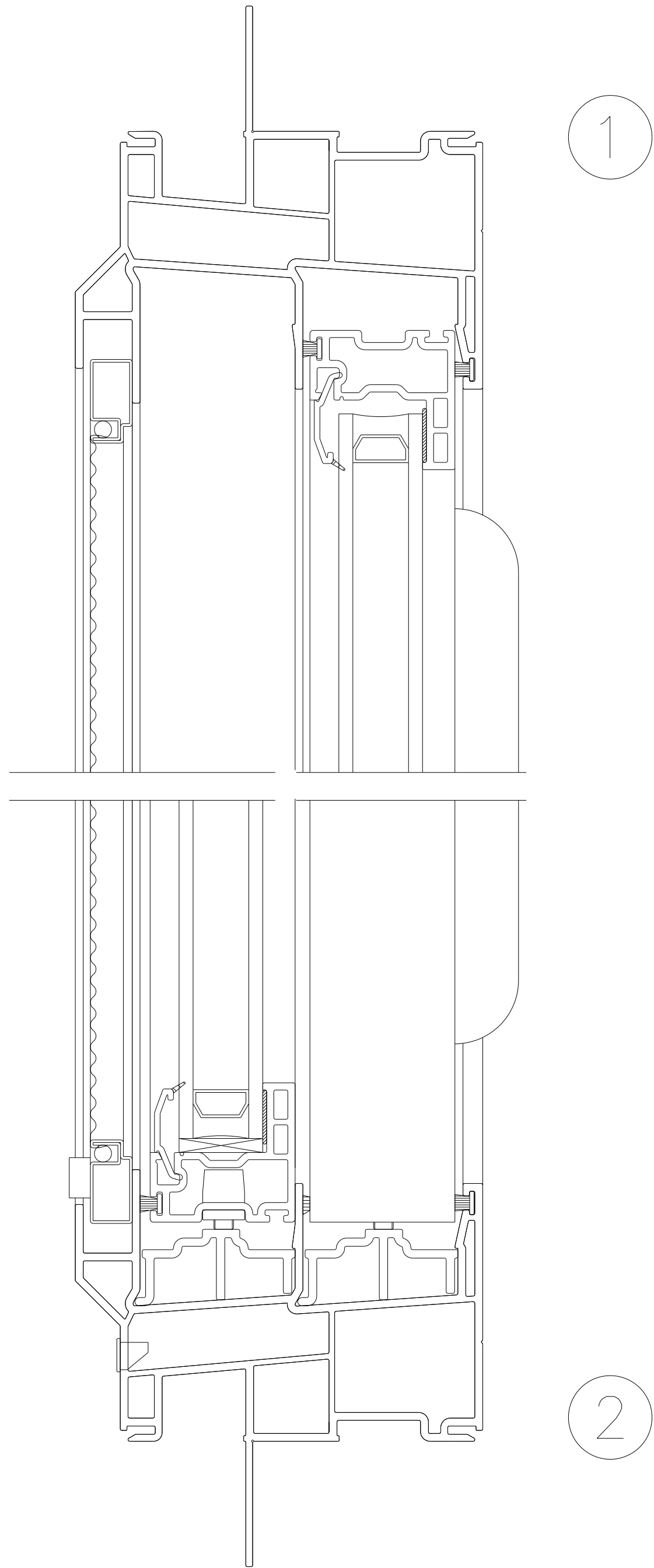


CAD MAINTAINED. CHANGES SHALL BE INCORPORATED BY THE DESIGN ACTIVITY.

REVISION HISTORY			
REV	DESCRIPTION	DATE	APPROVED
-	DESCRIPTION	DATE	APPROVED

10/17/2013



usb5q

\\monsrv01\decTechs\data\dgn\66365.DGN